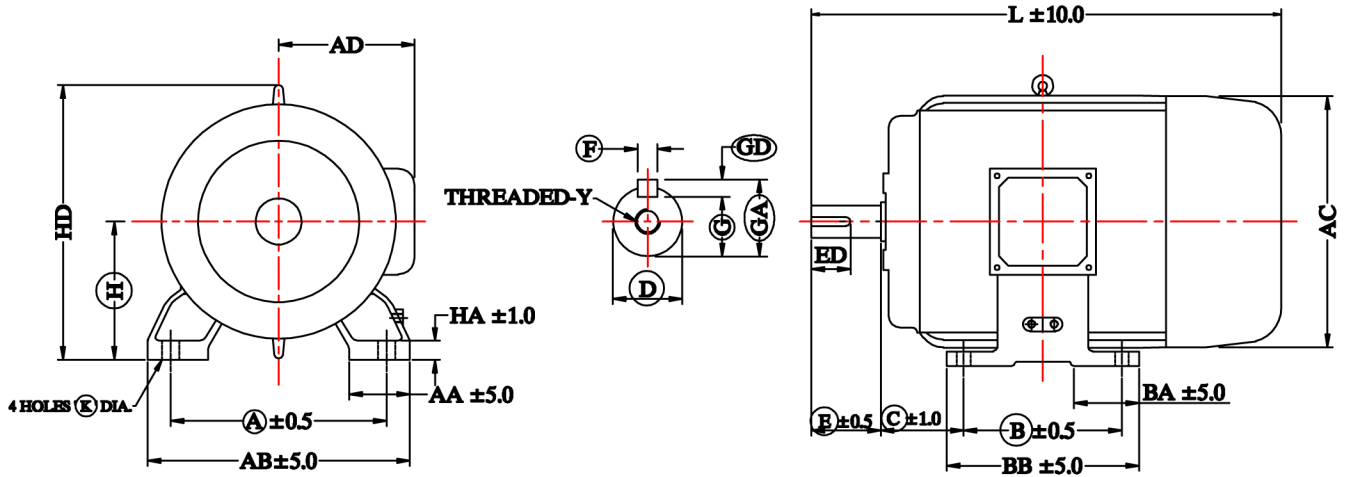


Outline Dimension Drawing For 1 Phase & 3 Phase Squirrel Cage TEFC FOOT(B3) Mounted Induction Motors (6 Pole , 4 Pole & 2 Pole)



RINGED DIMENSION ARE AS PER IEC 60034 (ALL DIMENSIONS ARE IN mm.).

FRAME	A	B	C	H	AA	AB	BA	BB	K	D	E	ED	F	GD	G	GA	Y	AD	AC	L	HA	HD
ND63	100	80	40	62.5 63.0	25	120	30	104	7.0 7.5	11.008 10.997	23	16.0	4.000 3.970	4.000 3.970	8.50 8.40	12.5	M4x12	91.0	118	217		128
ND71	112	90	45	70.5 71.0	30	136	35	110	7.0 7.5	14.008 13.997	30	25.0	4.000 3.970	4.000 3.970	12.0 11.8	16.0	M5x12	102.0	140	241		161
ND80	125	100	50	79.5 80.0	35	151	45	124	10.0 10.5	19.009 18.996	40	27.0	6.000 5.970	6.000 5.970	15.0 14.8	21.5	M6x16	134	170	285	11	200
ND90S	140	100	56	89.5 90.0	35	170	40	127	10.0 10.5	24.009 23.996	50	36.0	8.000 7.910	7.00 6.91	20.0 19.8	27.0	M8x19	150	195	315	13	230
ND90L	140	125	56	89.5 90.0	35	170	32	152	10.0 10.5	24.009 23.996	50	36.0	8.000 7.910	7.000 6.910	20.0 19.8	27.0	M8x19	150	195	340	13	230
ND100L	160	140	63	99.50 100.0	36	200	45	170	12.0 12.5	28.009 27.996	60	44.0	8.000 7.910	7.000 6.910	24.0 23.8	31.0	M10x22	160	215	370	13	250
ND112M	190	140	70	111.5 112.0	36	230	60	170	12.0 12.5	28.009 27.996	60	44.0	8.000 7.910	7.000 6.910	24.0 23.8	31.0	M10x22	170	235	395	13	275
ND132M	216	178	89	131.5 132.0	48	254	54	200	12.0 12.5	38.018 38.002	80	60	10.00 9.910	8.000 7.910	33.00 32.80	41.0	M12x28	190	275	410	16	320

THESE DIMENSION MAY VERY BY 5mm DUT TO VARIATIONS IN CASTING
 THESE DIMENSION MAY VERY BY ±0.75mm

NAME SIGN. DATE			GENERAL TOLERANCE ON DIMENSIONS UNLESS OTHERWISE SPECIFIED					ALL DIMENSIONS IN MILLIMETERS	
DESIGNED	NMG		ABOVE	0.5	0.5	30	120	255	UNLESS OTHERWISE SPECIFIED
DRAW	ABS		UP TO	0.5	30	120	255	1200	
APPD	RGG		DEVIATION	± 0.1	± 0.1	± 0.1	± 0.1	± 0.1	
SCALE:- 1:1			TITLE:- OUTLINE DIMENSION FOR FOOT MOUNTED INDUCTION MOTOR						
SHRIRAM COATINGS								DRG NO. SC 176 R0	
L-186,M.I.D.C. AREA AHMEDNAGAR-414 111.									
Email - info@shriramcoatings.com									